



## Description

Capsule Diaphragm Pressure Gauges are designed for accurate measurements of low-pressure ranges. They have various case designs and process connections for different industrial applications.

A modular capsule diaphragm made of copper-beryllium is the pressure sensing element of those pressure gauges. Therefore, capsule diaphragm pressure gauges are compatible with process fluids that do not wear copper-beryllium material. Under relative or vacuum pressure, the amount of capsule diaphragm's expansion or contraction is proportional to the applied pressure and this is directly transferred to the movement of the pressure gauge. The filling liquid used in the products lessens the effects of high dynamic pressure loads and vibration to the pressure gauge.

## Industrial Applications

Medical applications, environmental technology, lab technology, filter monitoring, heat engineering

## General Specifications

**Confirmity:**  
EN 837-3

**Sizes (mm):**  
Ø63, Ø100

**Unit:**  
mbar

**Measurement Ranges\*:**  
Ø63: Bottom Con. -1000/0, 0/25...1000 mbar  
Back Con. -1000/0, 0/25...1000mbar  
Ø100: -1000/0, 0/16...1000 mbar  
Equivalent vacuum and compound gauges.

**Accuracy Class:**  
Cl. 1.6

**Working Pressure:**  
75% of Full Scale

**Overpressure Resistance:**  
1.25xFull Scale

**Ingress Protection Rate:**  
IP65

**Versions:**  
Fillable  
Glycerine Filled

**Working Temperature Range:**  
Ambient: -20...60°C  
Process: -20...60°C

**Process Connections:**  
G1/4"B (Ø63mm)  
G1/2"B (Ø100mm)

\* For details, please contact sales representative.

### Materials:

**Capsule Diaphragm:**  
Copper Beryllium

**Socket:**  
Brass

**Case:**  
AISI 304

**Cover:**  
AISI 304

**Movement:**  
Brass

**Window:**  
Ø63: Acrylic  
Ø100: Safety Glass

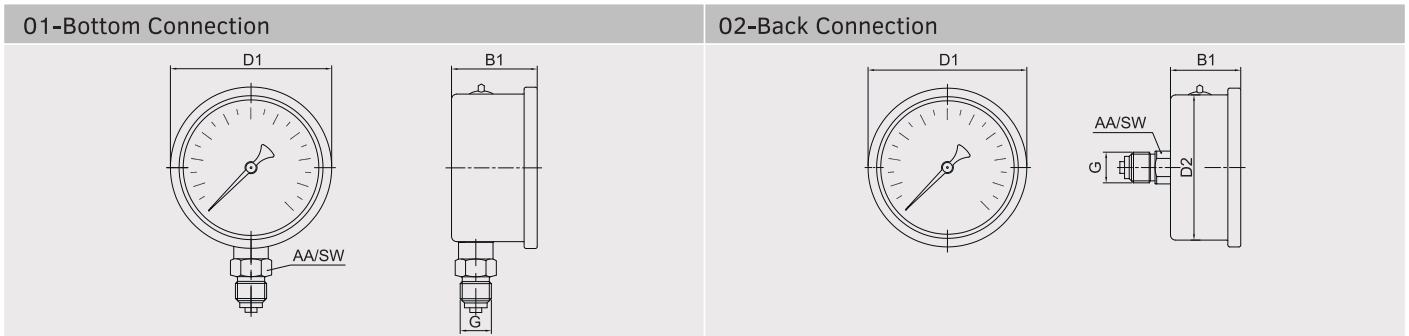
**Dial:**  
Aluminium

**Pointer:**  
Aluminium

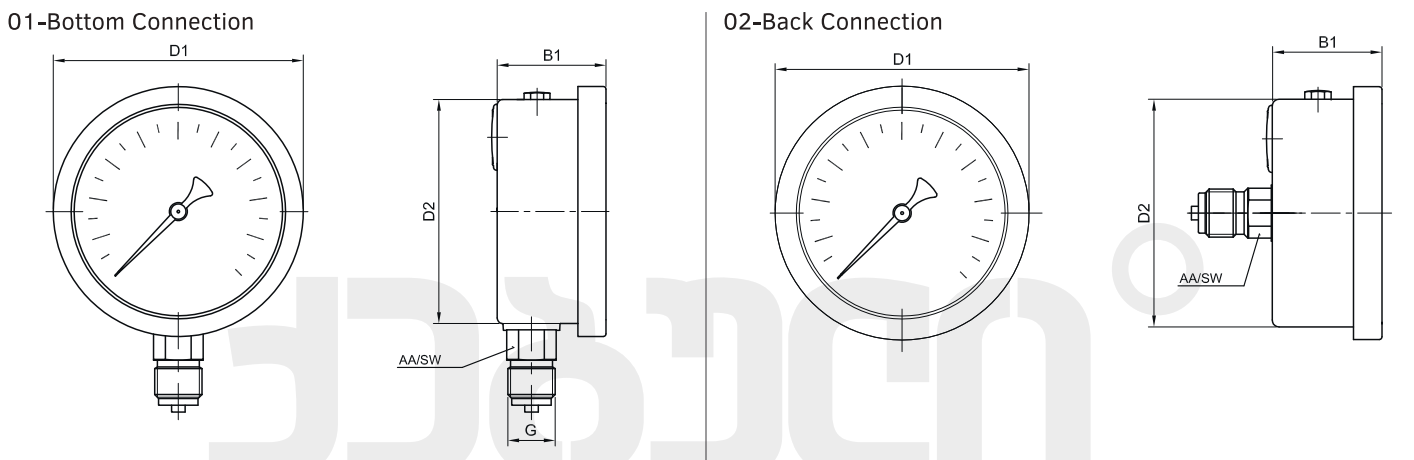
### Options:

Other Process Connections  
Other Pressure Units  
Special Dial Design

**Dimensions (mm) Ø63**



**Dimensions (mm) Ø100**



Ø	Connections	Version	Case	Window	Cover	D1	D2	B1	G	AA/SW
Ø63	Bottom	Standard	Metal	Acrylic	Acrylic	68	-	37	G1/4"	14
	Back	Standard	Metal	Acrylic	Acrylic	68	62	31,5	G1/4"	14
Ø100	Bottom	Standard	Metal	Glass	Metal	110	100	48	G1/2"	22
	Back	Standard	Metal	Glass	Metal	110	100	48	G1/2"	22

## Approvals:

---



Turkish Standards Institution

EN ISO 9001

ISO 9001 Quality Management System



TURKAK Calibration Laboratory Accreditation Certificate



2014/68/EU Pressure Equipment Directive - Certificate of Conformity



Gost Certificate

*System and quality certifications of PAKKENS Inc.  
Product and product group certifications may vary*

