



## Description

PAKKENS TE Series Temperature Gauges have been developed as a standard version for temperature indication in HVAC systems, heating, and cooling applications. The modular design of the temperature gauge makes it enable to have different combinations of nominal sizes, stem lengths, and scale ranges.

The bimetal temperature gauges are assembled to the processes with screw-in thermowells. Besides protecting the measurement instrument, the thermowell is also used for exchanging the temperature gauge without halting the systems.

## Industrial Applications

Air Conditioning and Refrigeration Systems, Heating Systems, Ventilation Systems, Hot Water Tanks, Solar Collectors

## General Specifications

### Confirmity:

EN13190

### Temperature Sensing Element:

Bimetal Helix Coil

### Sizes (mm):

Ø63, Ø100, Ø160

### Bulb Diameter (mm):

Ø9

### Thermowell Diameter (mm):

Ø12

### Unit:

°C

### Immersion Length (mm):

Ø63: 50mm...500mm

Ø100:50mm...1000mm

Ø160:100mm...1000mm

### Measurement Ranges:

-30°C...200°C (For products that have a 50mm immersion length)

-30°C...500°C

### Accuracy Class:

CL 2.0

### Ingress Protection Rate:

IP51

### Max. Working Pressure:

25 bar

### Process Connections:

G1/2"B

### Materials:

#### Bimetal Cover :

Brass

#### Thermowell:

AISI 316L, Brass (For products that have a 50mm immersion length)

#### Case:

Ø63, Ø100 : AISI 430

Ø160: Black Painted Steel

#### Kapak:

Ø63, Ø100 : AISI 430

Ø160: Black Painted Steel

#### Window:

Ø63 : Polycarbonate ( $\leq 120^{\circ}\text{C}$ )

Ø63, Ø100, Ø160 : Glass

#### Dial:

Aluminium

#### Pointer:

Ø63, Ø100 : Plastic ( $\leq 160^{\circ}\text{C}$ )

Ø63, Ø100, Ø160 : Aluminium

### Options:

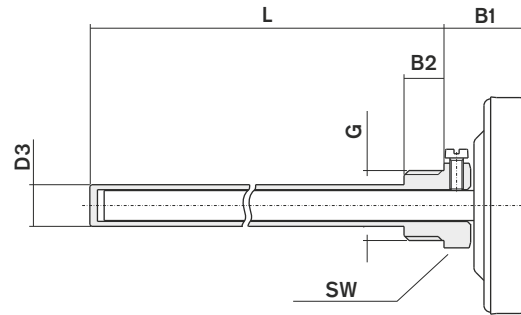
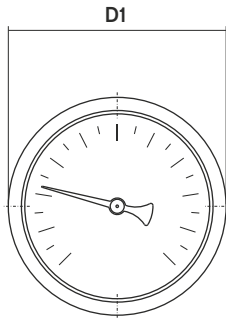
Other process connections

Other temperature units

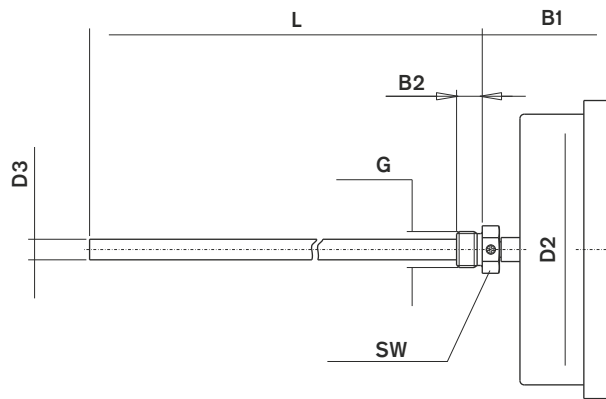
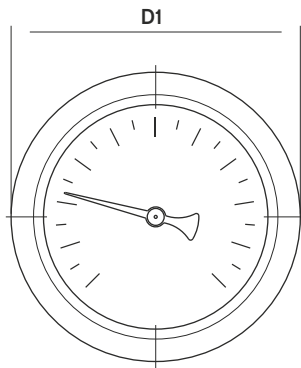
Special dial design

**Dimensions(mm)**

01- Ø63, Ø100



02- Ø160



Ø	Connections	Version	Case	Window	Cover	D1	D2	D3	B1	B2	L	G	SW
63	Back	Standard	Metal	Glass*	Metal	65	-	12	23	12	50-1000	G1/2"	22
100	Back	Standard	Metal	Glass	Metal	100	-	12	26,5	15	50-1000	G1/2"	24
160	Back	Standard	Metal	Glass	Metal	174	160	12	74	15	100-1000	G1/2"	24

\* Polycarbonate (≤120°C)

**Approvals:**

---



Turkish Standards Institution



ISO 9001 Quality Management System



TURKAK Calibration Laboratory Accreditation Certificate



2014/68/EU Pressure Equipment Directive - Certificate of Conformity



211/65/EU Restriction of Hazardous Substances Directive - Declaration of Conformity



Gost Certificate

*System and quality certifications of PAKKENS Inc.  
Product and product group certifications may vary*