



Plumbing Equipment - Pressure Regulator for Water

Sudden rise in domestic water lines may damage your plumbing in your home or work, this equipment prevents damage of pipes due to high pressure.

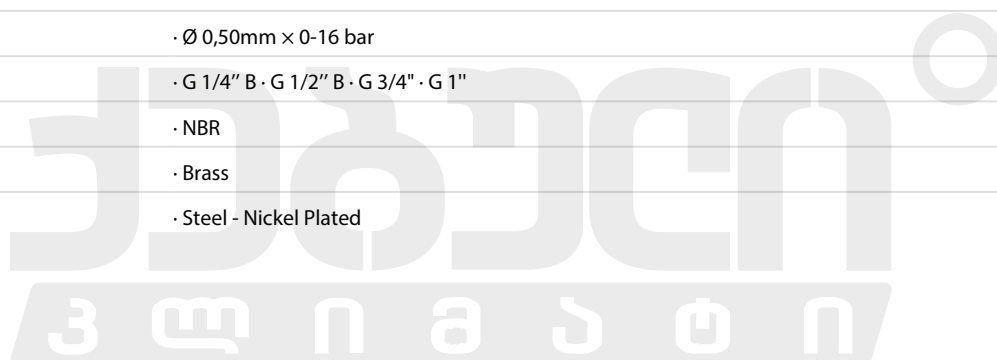
Extends life of your house's domestic water plumbing and tabs

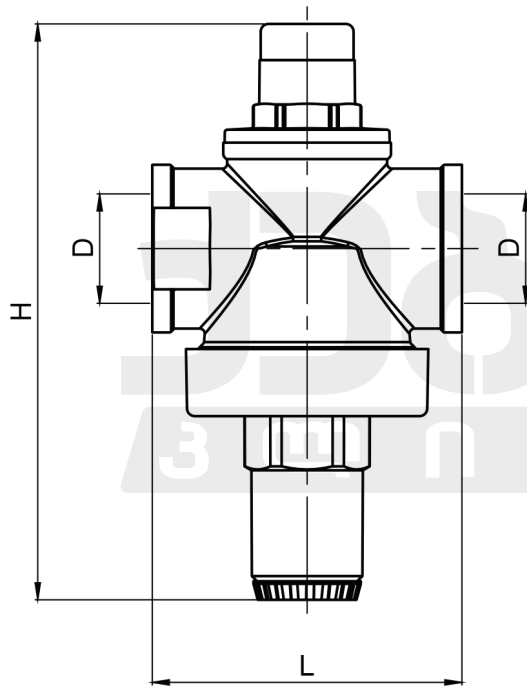
Usage Properties

Fluid Temperature	· -80 °C
Conformity	· TS EN 1567
Max.Pressure	· PN 16
Storage Temperature	· -40 ... +70 °C

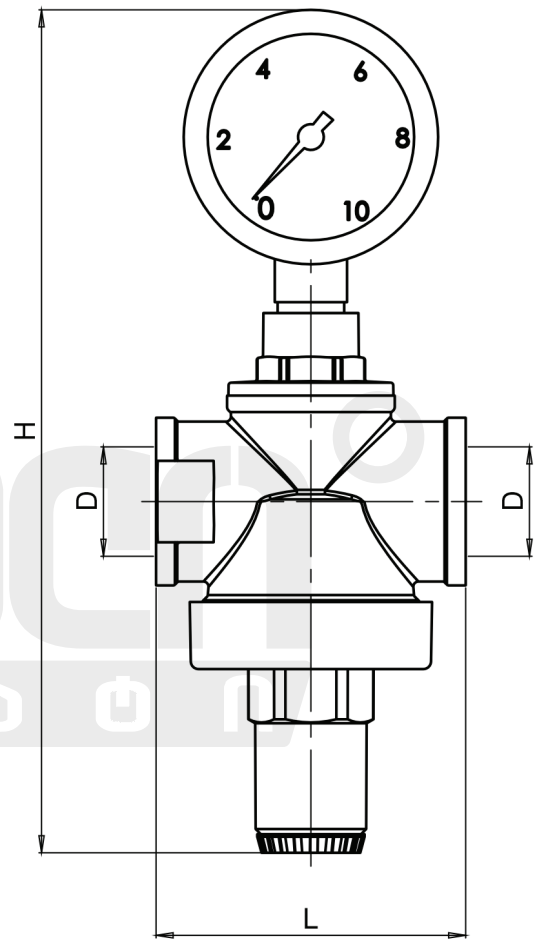
Constructive Properties

Outlet Pressure	· 1 - 6 bar
Case	· Brass - Nickel Plated
Pressure Gauges	· Ø 0,50mm × 0-16 bar
Connection	· G 1/4" B · G 1/2" B · G 3/4" · G 1"
Sealing	· NBR
Piston	· Brass
Springs	· Steel - Nickel Plated





KOD	D	H	L
1301010000	G 1/4"	93	58
1303010000	G 1/2"	112	60
1304010000	G 3/4"	112	60
1305010000	G 1"	140	86



KOD	D	H	L
1301110000	G 1/4"	143	58
1303110000	G 1/2"	162	60
1304110000	G 3/4"	162	60
1305110000	G 1"	190	86