



Ball Valves - General Purpose (Female-Female)

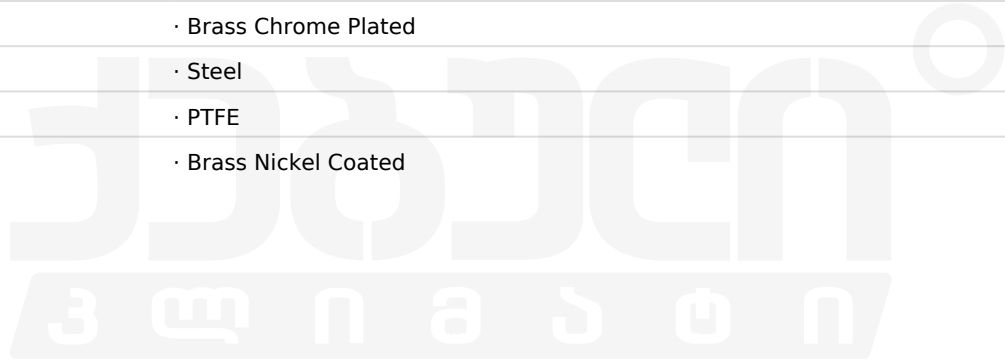
- Ball Valves, allows adjusting flow of fluid manually or turning the circulation off.

Usage Properties

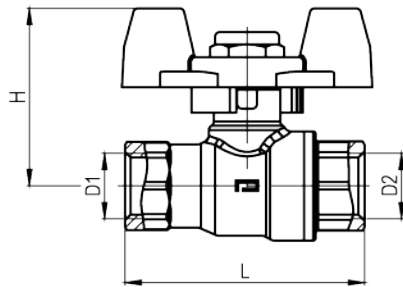
Conformity	· TSE CEN / TS 13547
Fluid Temperature	· 80 °C
Storage Temperature	· -40 ... +70 °C
Max.Pressure	· PN 25 · 2 ½" ≥ PN16

Constructive Properties

Case	· Brass - Nickel Plated
Connection	· G 1/4" B · G 3/8" B · G 1/2" B · G 3/4" · G 1" · G 1 ¼" · G 1 ½" · G 2" · G 2 ½" · G 3"
Sphere	· Brass Chrome Plated
Handle	· Steel
Ball Seats	· PTFE
Shaft	· Brass Nickel Coated

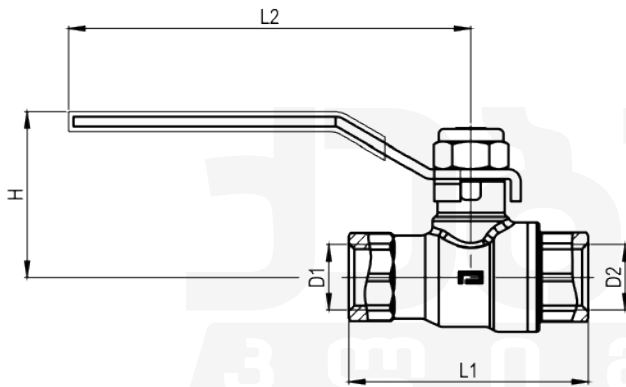


Technical Drawings - General Purpose (Female-Female)



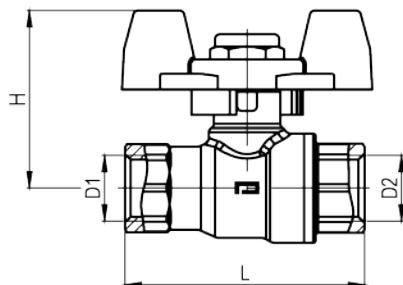
PN16					
KOD	■ / ■	D1	D2	L	H
09269-11	■ / ■	G 1/2"	G 1/2"	53	39,5
09269-12	■ / ■	G 1/2"	G 1/2"	53	39,5
09299-11	■ / ■	G 3/4"	G 3/4"	59	44
09299-12	■ / ■	G 3/4"	G 3/4"	59	44
09329-11	■ / ■	G 1"	G 1"	70	52,5
09329-12	■ / ■	G 1"	G 1"	70	52,5

09269-11 /



PN16					
KOD	D1	D2	L1	L2	H
092691	G 1/2"	G 1/2"	53	97	44
092991	G 3/4"	G 3/4"	59	97	46,5
093291	G 1"	G 1"	70	117	52
093591	G 1 1/4"	G 1 1/4"	78	117	57
093891	G 1 1/2"	G 1 1/2"	96	155	73
094191	G 2"	G 2"	108	155	80

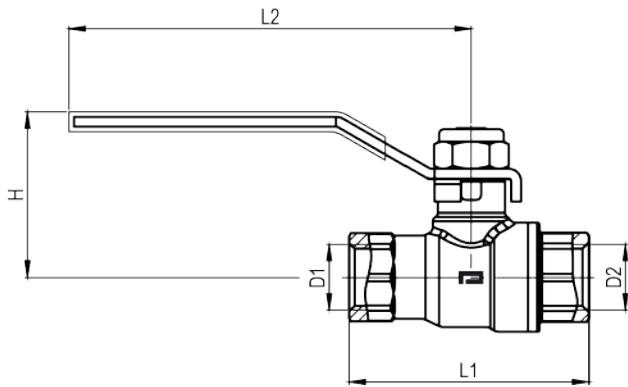
092691 /



PN25					
KOD	■ / ■	D1	D2	L	H
0920-11	■ / ■	G 1/4"	G 1/4"	48,5	35,5
0920-12	■ / ■	G 1/4"	G 1/4"	48,5	35,5
0923-11	■ / ■	G 3/8"	G 3/8"	49	37
0923-12	■ / ■	G 3/8"	G 3/8"	49	37
0926-11	■ / ■	G 1/2"	G 1/2"	56	41
0926-12	■ / ■	G 1/2"	G 1/2"	56	41
0929-11	■ / ■	G 3/4"	G 3/4"	66	44
0929-12	■ / ■	G 3/4"	G 3/4"	66	44
0932-11	■ / ■	G 1"	G 1"	81	52,5
0932-12	■ / ■	G 1"	G 1"	81	52,5

0920-11 /

Technical Drawings - General Purpose (Female-Female)



PN25					
KOD	D1	D2	L1	L2	H
092001	G 1/4"	G 1/4"	48,5	84	35
092301	G 3/8"	G 3/8"	49	84	35
092601	G 1/2"	G 1/2"	56	97	44
092901	G 3/4"	G 3/4"	66	97	46,5
093201	G 1"	G 1"	81	117	52
093501	G 1 1/4"	G 1 1/4"	91	117	57
093801	G 1 1/2"	G 1 1/2"	107	155	73
094101	G 2"	G 2"	120	155	80

092001 /

