



## Safety Vents - Safety Valves - Pre-set Pressure

- Used as a safety equipment in Heating systems and plumbing to release over pressure from the system automatically.
- Release pressure is factory set to customers request. Set pressure can not be altered user.

### Usage Properties

Fluid Temperature	· 110 °C
Conformity	· CE 0408
Storage Temperature	· -20 ... +60 °C
Pressure Range	· 2,5 bar · 3 bar · 3,5 bar · 4 bar · 6 bar
Max.Pressure	· PN 10

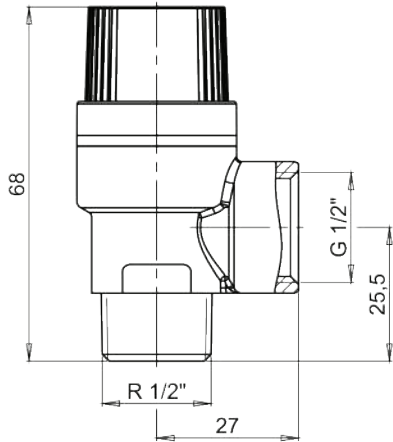
### Constructive Properties

Discharge Connection	· G 1/2" B
Material	· Brass (CuZn40Pb2)
Connection	· G 1/2" B · G 3/4" · G 1"
Tension Spring	· Spring Steel

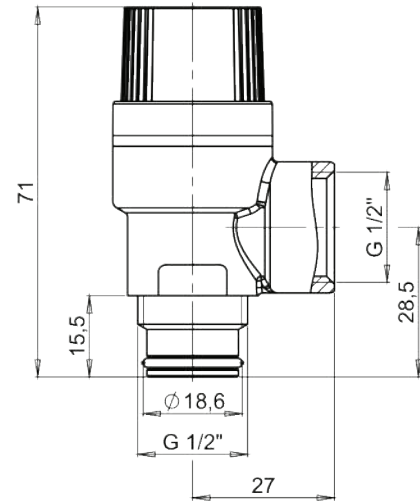


Technical Drawings - Safety Valves - Pre-set Pressure

098900

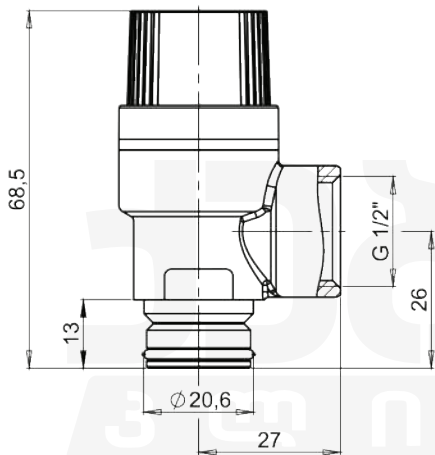


098930

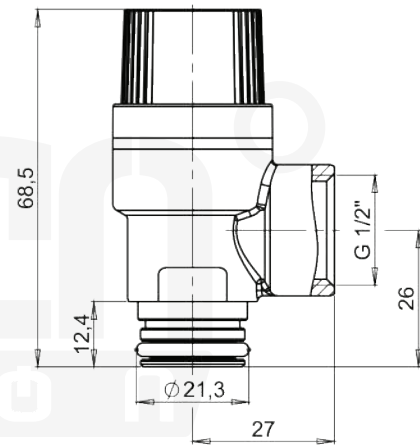


098900 / 098930 /

098940

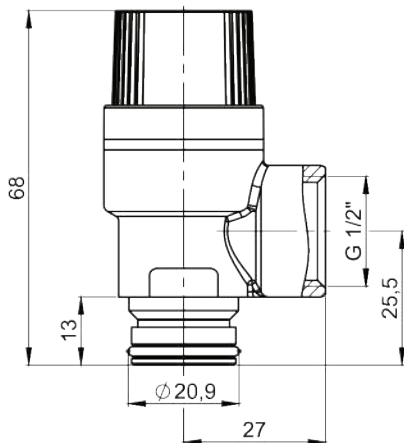


098960

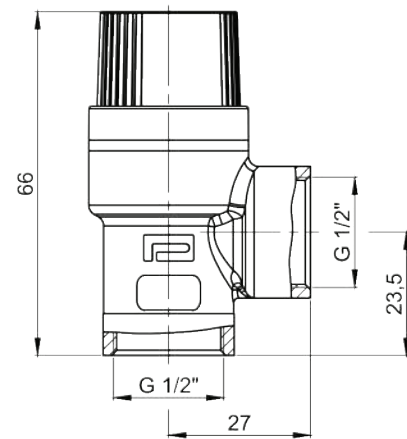


098940 / 098960 /

098970

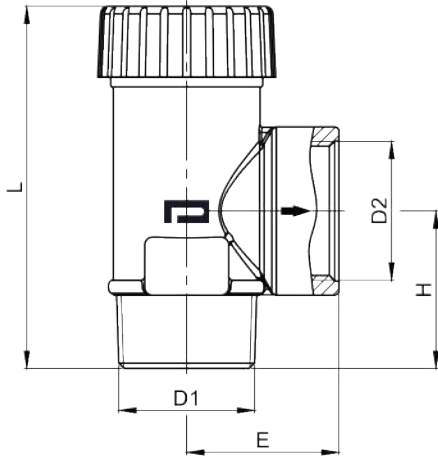


098910



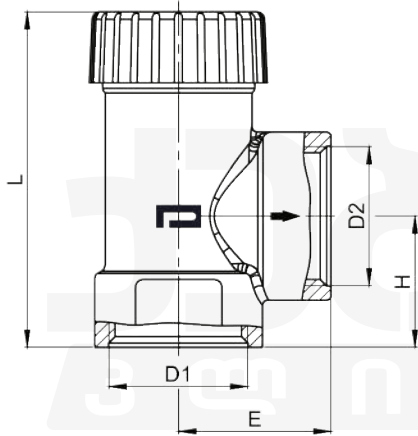
098970 / 098910 /

Technical Drawings - Safety Valves - Pre-set Pressure



KOD	D1	D2	L	H	E
098400	R 3/4"	G 3/4"	68	30	29
098500	R 1"	G 1"	76	35	35

098400 / 098500 /



KOD	D1	D2	L	H	E
098410	G 3/4"	G 3/4"	63	25	29
098510	G 1"	G 1"	70	30	35

098410 / 098510 /